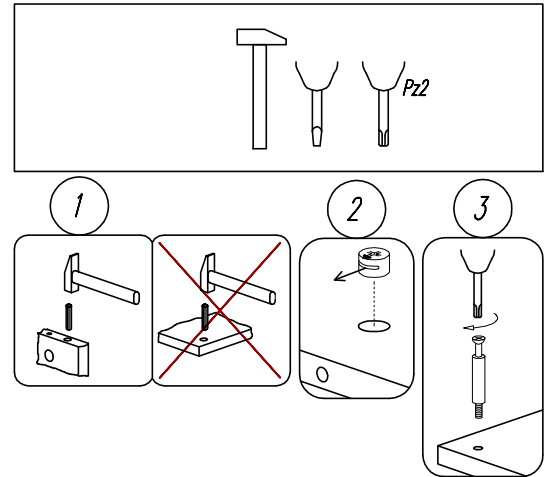


LARA CONTAINER 1/2010



- | | | | | | | | | | | | | |
|------------------------------------|----------|-------------------------|----------------|----------|----------|----------|-----------------------------------|-----------------------------------|------------|----------------------------------|-----------------------------------|----------------------------------|
| A | B | C | D | E | G | H | I | J | L | M | | |
| | | | | | | | | | | | | |
| $\varnothing 7,8 \times 40$ x28 | x4 | $\varnothing 15$ x12 | L=34/M6 x12 | x2 | x2 | x2 | $\varnothing 3,5 \times 16$ x8 | $\varnothing 3,5 \times 20$ x6 | EURO x8 | $\varnothing 3 \times 13$ x40 | $\varnothing 3,5 \times 30$ x8 | $\varnothing 4 \times 45$ x16 |

