

CANDY Nightstand

product code = 541-02-00

Turkey

Discover
the potential

WARNING & GENERAL CLEANING RECOMMENDATIONS

- Clean your furniture with a damp soft cloth and dry it.
- Never use any chemical cleaning agent, hard materials, materials consisting of acid, base (such as detergent, bleach) for cleaning.
- Wipe stains on surfaces such as glass and mirror with a dry soft cloth. Stubborn stains should be cleaned with a well squeezed cloth soaked in warm water. Be careful not to leave any water drops on the bottom surface.
- Wipe and dry any hot or cold liquid that spills on the surface of your furniture immediately. Furniture shouldn't be contacted with chemical solvents such as alcohol, acetone, thinner, etc.
- Materials cutting, scratching, etc. (such as key) shouldn't be thrown on painted surface of our furniture.
- Furniture shouldn't be kept in areas where they are exposed to direct sunlight. Materials at high temperatures shouldn't be put directly on the surface of our furniture (cup, etc.)
- Do not expose products to heaters such as electric heaters or stoves. For products with different production dates, the color tone may be different. The reason for the difference in tone that can be seen in different parts of the same product is that it is covered with a different pattern of natural coating material. In addition, this condition which depends on factors such as the age of the tree, grain structure, exposure and climate, shouldn't be perceived as a mistake.
- Stickers and/or posters shouldn't be attached to the product surface.
- Glasses of units with glass door and mirror shouldn't be closed swiftly and harshly.
- Doors and drawers shouldn't be open while products are being transported.
- Carriage of drawer units such as dresser, nightstand, etc. shouldn't be performed horizontally on the drawer side.
- Products should be kept at least 60 in away from the heaters such as radiator, etc.
- Electrical accessories shouldn't be left on for a long time.
- Cleaning of the stickers included in the product design should be done without removing it (without disconnecting) from such area.
- Units shouldn't be used for purposes other than their intended use. For example, it shouldn't be stepped on desk, nightstand, dresser, bookcase, wardrobe.

Install tipover restraint provided.

Place heaviest items in the lower drawers.

Unless specifically designed to accommodate, do not set TVs or other heavy objects on top of this product.

Never allow children to climb or hang on drawers, doors or shelves.

Never open more than one drawer at a time.

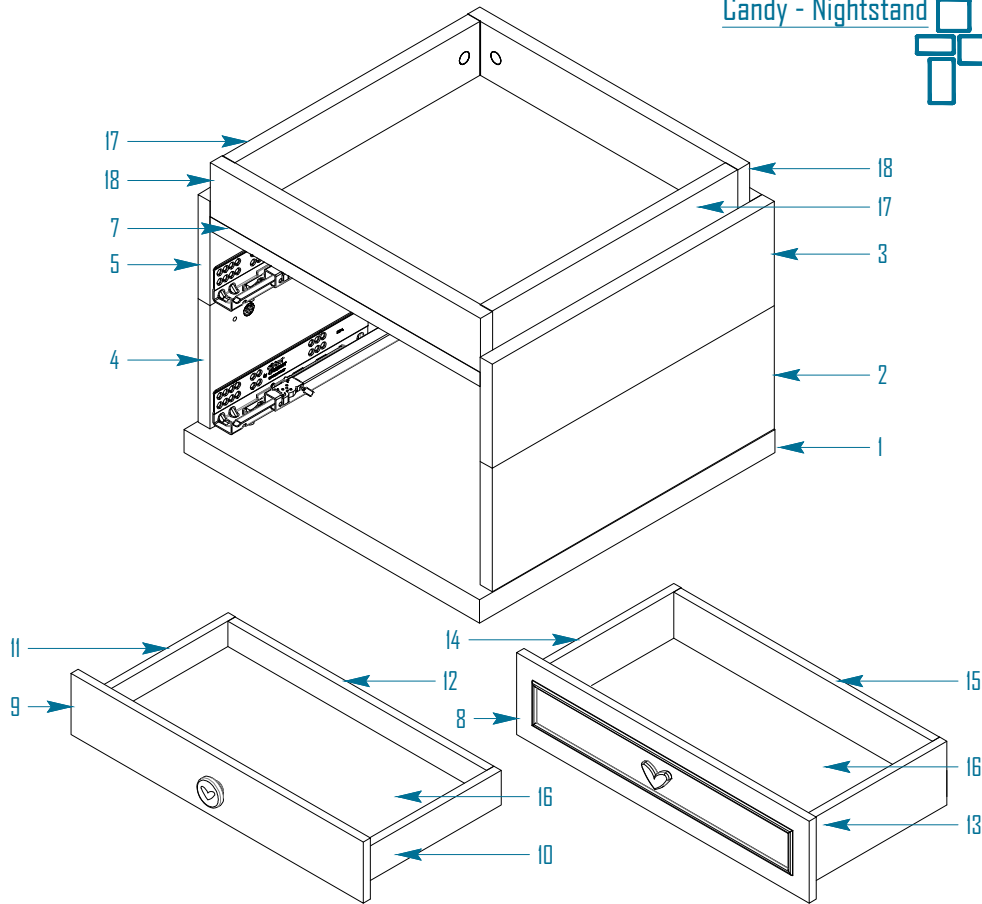


- Do not simultaneously open drawers and doors of products with multiple drawers (such as dresser, nightstand, etc.). This causes change in position of the center of gravity and it may fall over.
- Check periodically whether hinges used on doors of your furniture are intact. So, you can prevent doors from falling.
- Do not carry your furniture by pushing or dragging. Carry moving parts and disassembled products by dismantling. (such as shelf, door)
- While carrying mounted products or changing their places, carry them by tilting towards opposite side of drawers' opening direction. (drawers may open and fall.)

There are stairs on bunk beds to climb upper bed section. While climbing upper bed section, use stair steps.

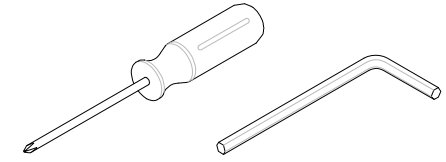
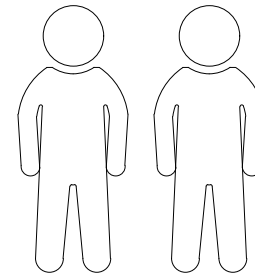
- Place heavy objects on lower shelves of bookcases, light objects on upper shelves.
- If desk wheels are movable, make sure that the wheels are not in the locked position except for carrying to other places.
- In case of changing place, if products are mounted, please receive help from authorized service about transportation by disassembling and installation in substitution place.
- Installation of the products is seller's liability. Installation guide is included in the package of each product and unit.
- Show all necessary care and attention to minimize the risks that may arise in natural disasters such as earthquake, flood, fire etc. Especially in the event of earthquake, fix products that may create risk by falling over, falling or sliding to the wall. Determination of the location of the electric and plumbing pipes while fixing the product, selection of fittings suitable for the type and weight of the product, selection of fixing elements and maintaining its balance are important. In the reduction of risks, carrying heavy and high products to areas where we will be safer, placing furniture used permanently in areas away from windows and putting heavy items on lower shelves and putting lighter items on upper shelves are simple measures to be taken. If requested during assembly provided by the seller, it will be helped to reduce risks due to natural disasters, to fix hardware and accessories, to provide apparatus and to fix related items to wall with these

Candy - Nightstand

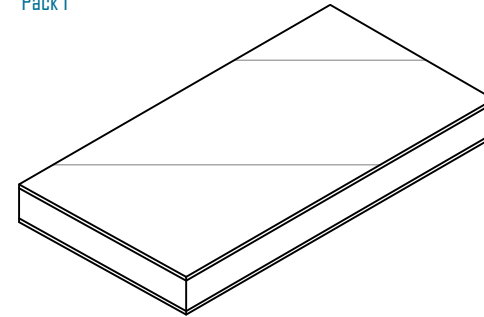


NO	PART NAME	SIZE	PCS
1	Bottom Panel	442 x 442 - 18mm	1
2	Right Panel Bottom	422 x 160 - 18mm	1
3	Right Panel Top	422 x 135 - 18mm	1
4	Left Panel Bottom	422 x 160 - 18mm	1
5	Left Panel Top	422 x 135 - 18mm	1
6	Backboard	404 x 295 - 18mm	1
7	Top Panel	404 x 404 - 18mm	1
8	Drawer Front Panel Bottom	440 x 157 - 18mm	1
9	Drawer Front Panel Top	440 x 132 - 18mm	1
10	Bottom Drawer Right Panel	350 x 120 - 18mm	1
11	Bottom Drawer Left Panel	350 x 120 - 18mm	1
12	Bottom Drawer Back Panel	356 x 100 - 18mm	1
13	Top Drawer Right Panel	350 x 75 x 18mm	1
14	Top Drawer Left Panel	350 x 75 x 18mm	1
15	Top Drawer Back Panel	356 x 55 x 18mm	1
16	Drawer Bottom	372 x 358 x 8mm	2
17	Top Base Right - Left	368 x 70 x 18mm	2
18	Top Base Front - Back	404 x 70 x 18mm	2

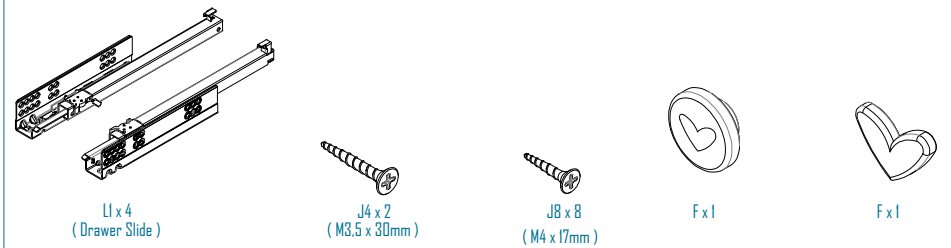
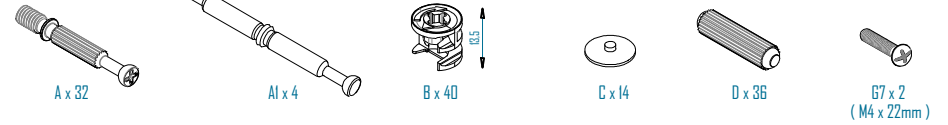
Pack and Accessory List



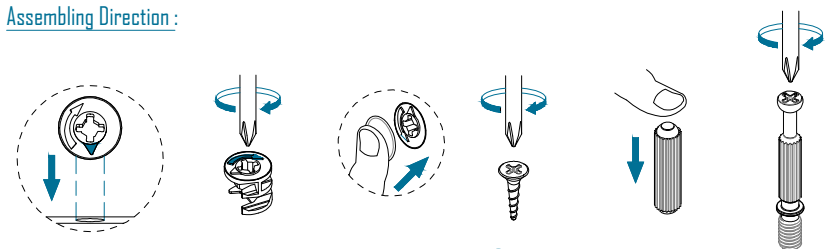
Pack 1



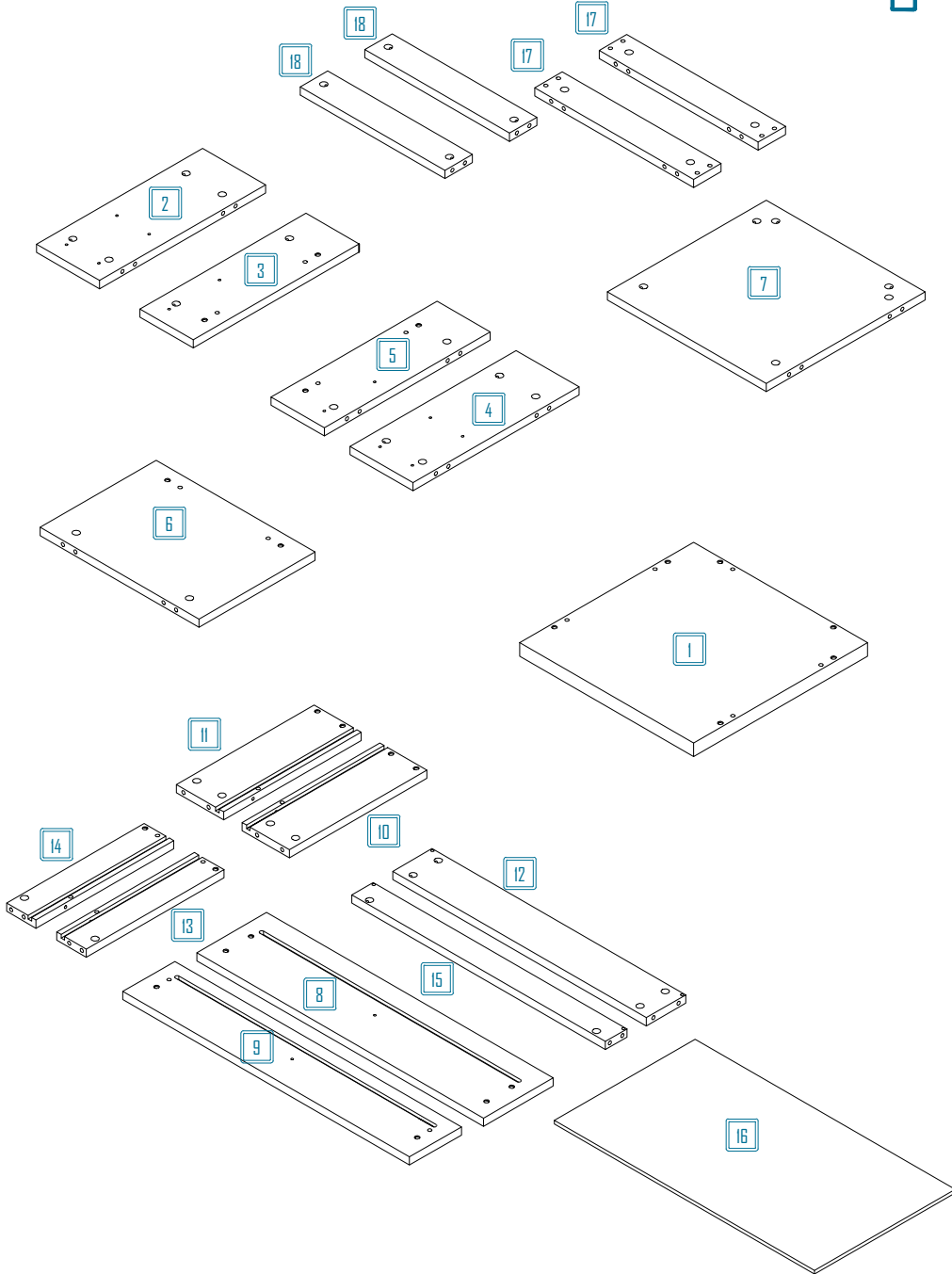
Assembling Accessory



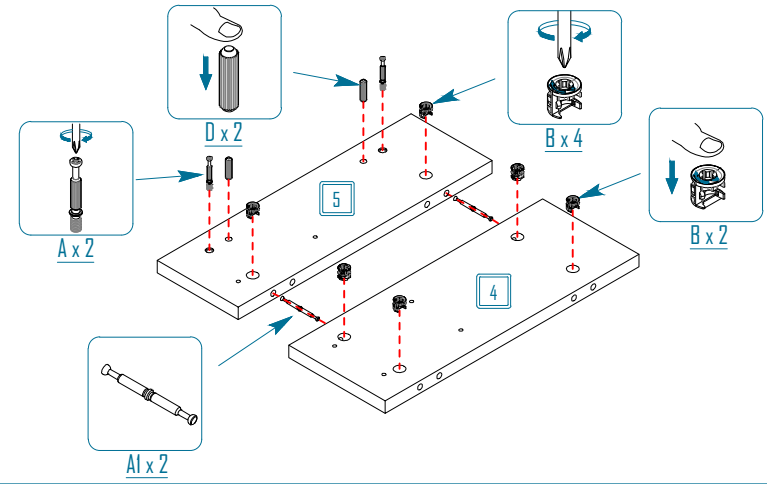
Assembling Direction :



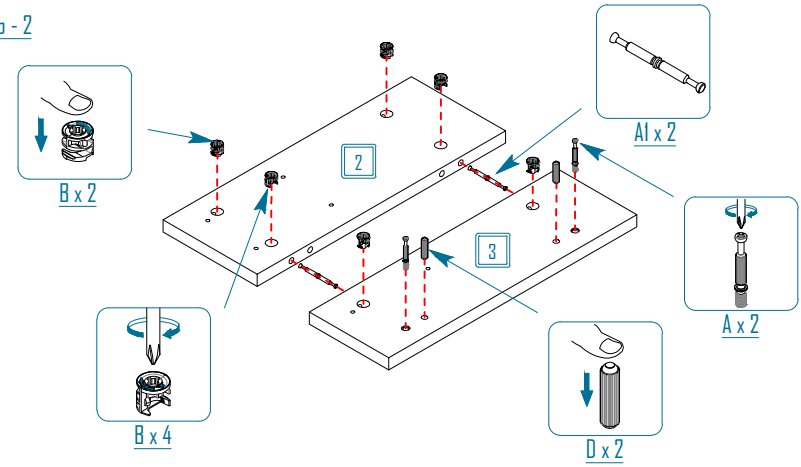
Pack 1



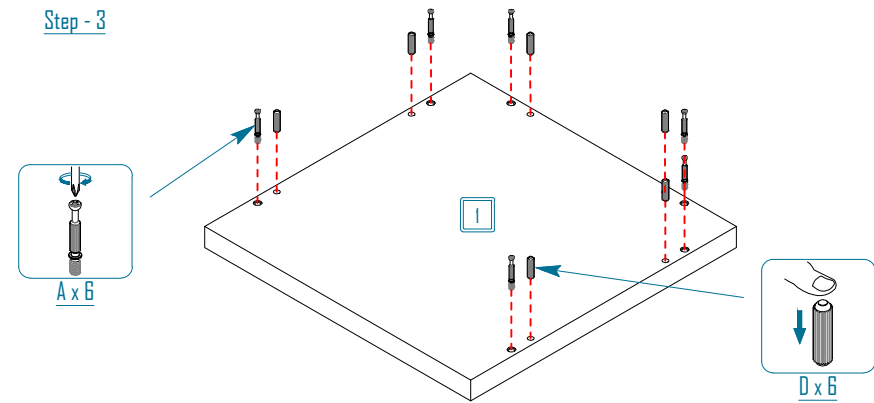
Step - 1



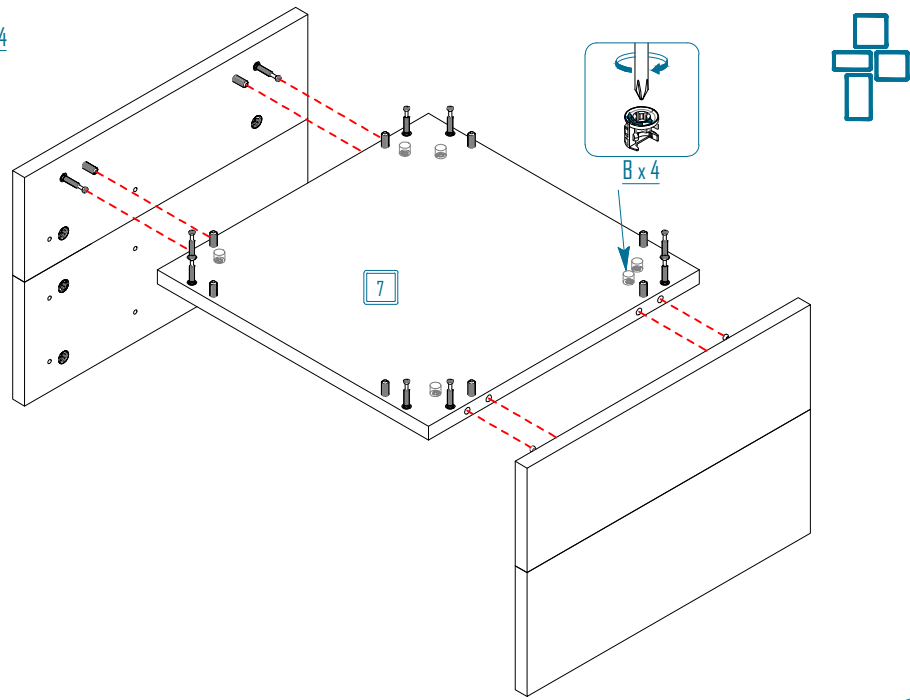
Step - 2



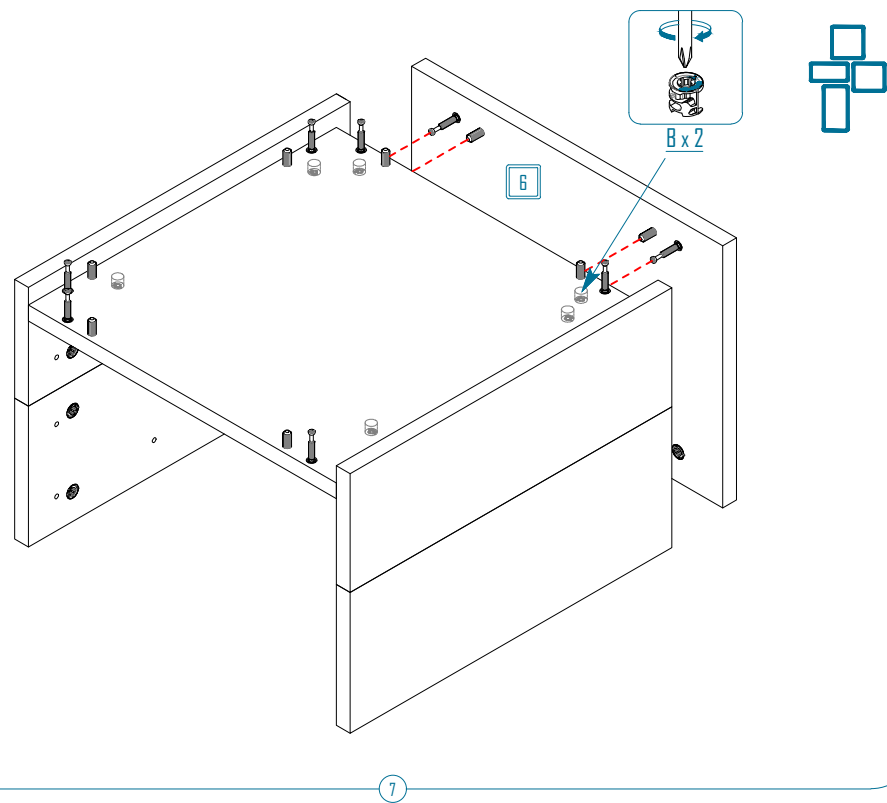
Step - 3



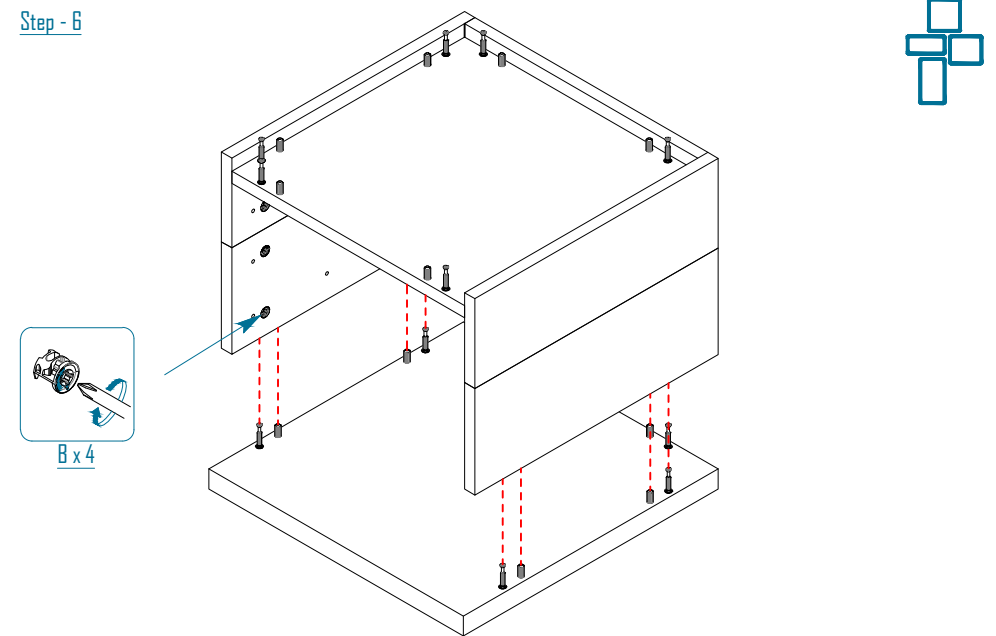
Step - 4



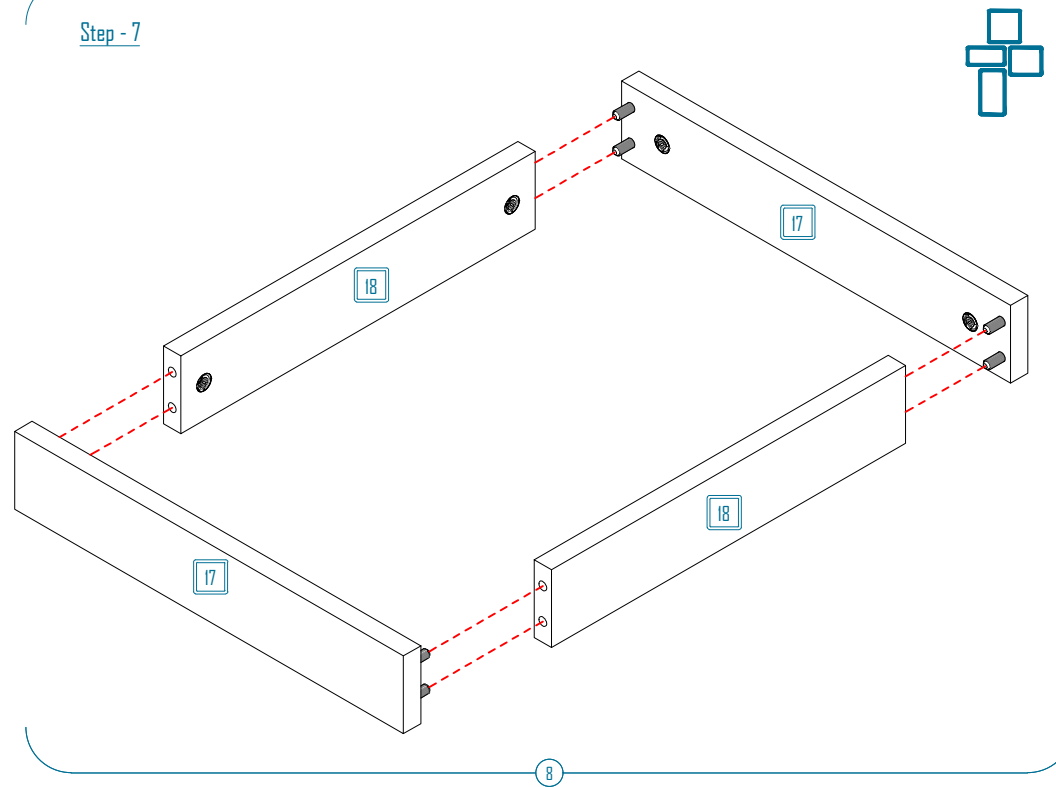
Step - 5



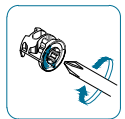
Step - 6



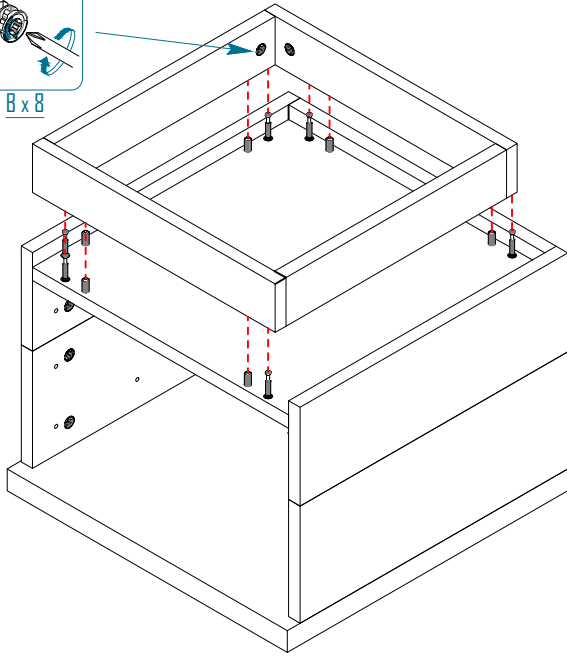
Step - 7



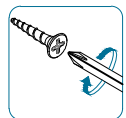
Step - 8



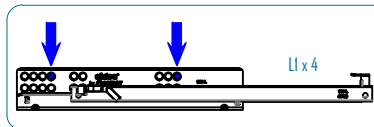
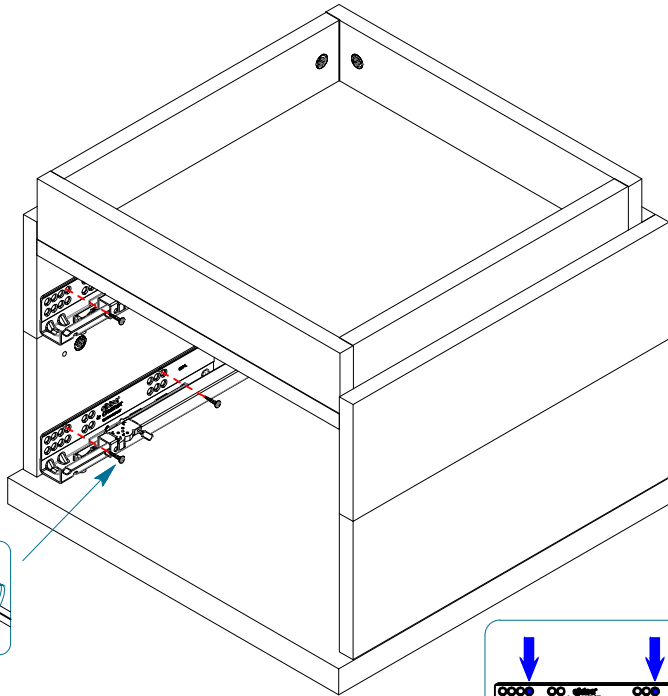
B x 8



Step - 9

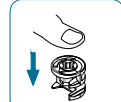


J8 x 16

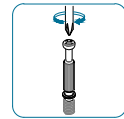
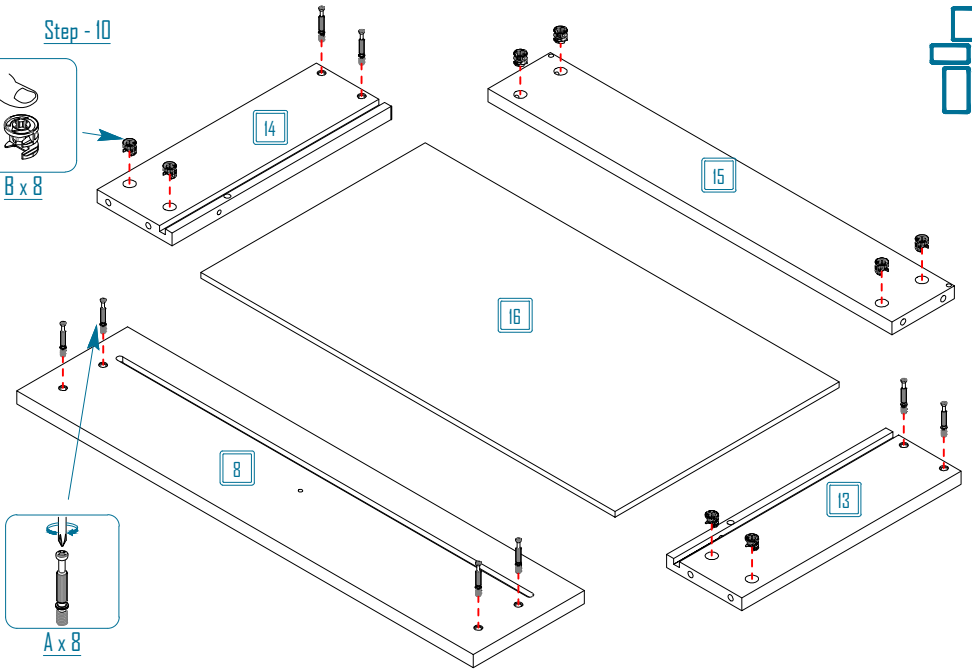


9

Step - 10



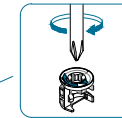
B x 8



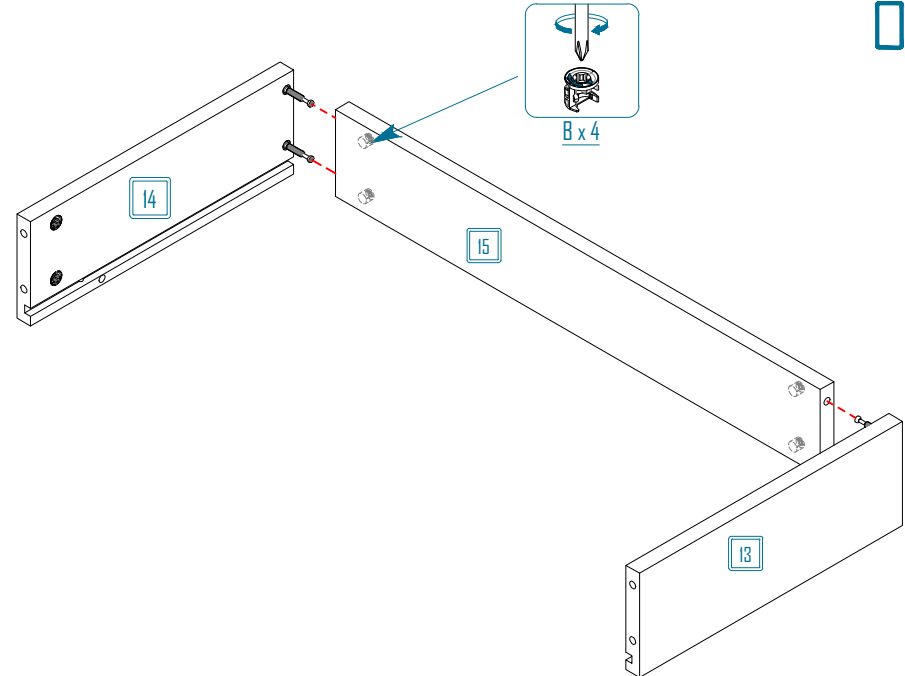
A x 8



Step - 11

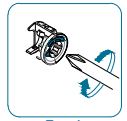


B x 4

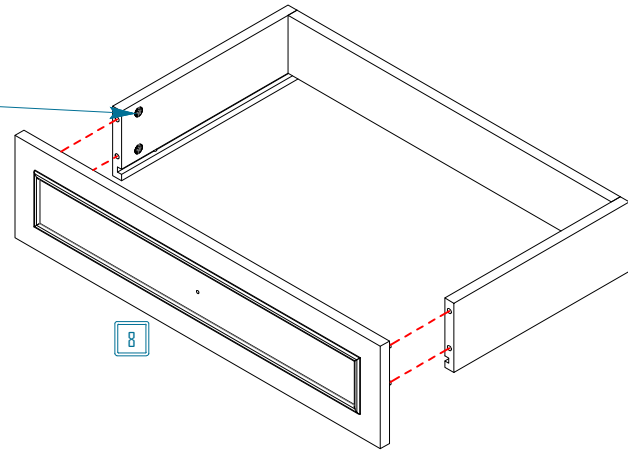


10

Step - 12



B x 4

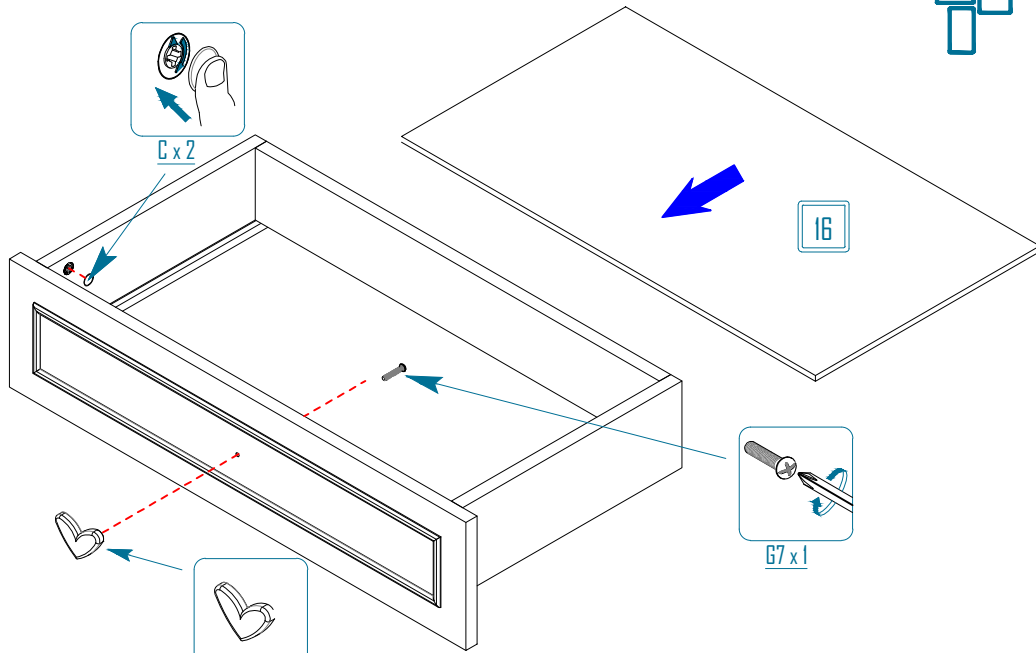


8

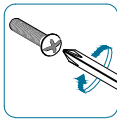
Step - 13



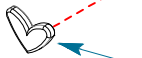
C x 2



16



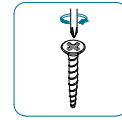
G7 x 1



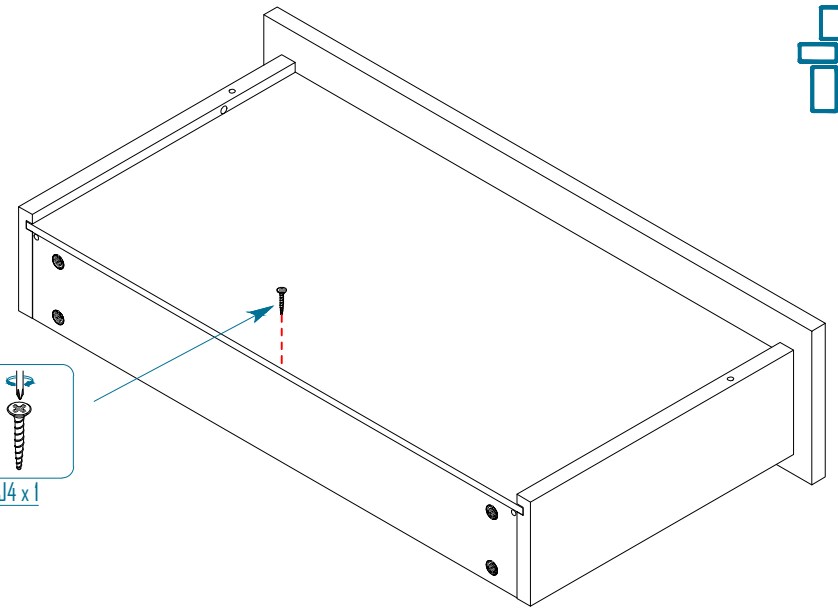
F x 1

11

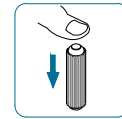
Step - 14



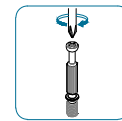
J4 x 1



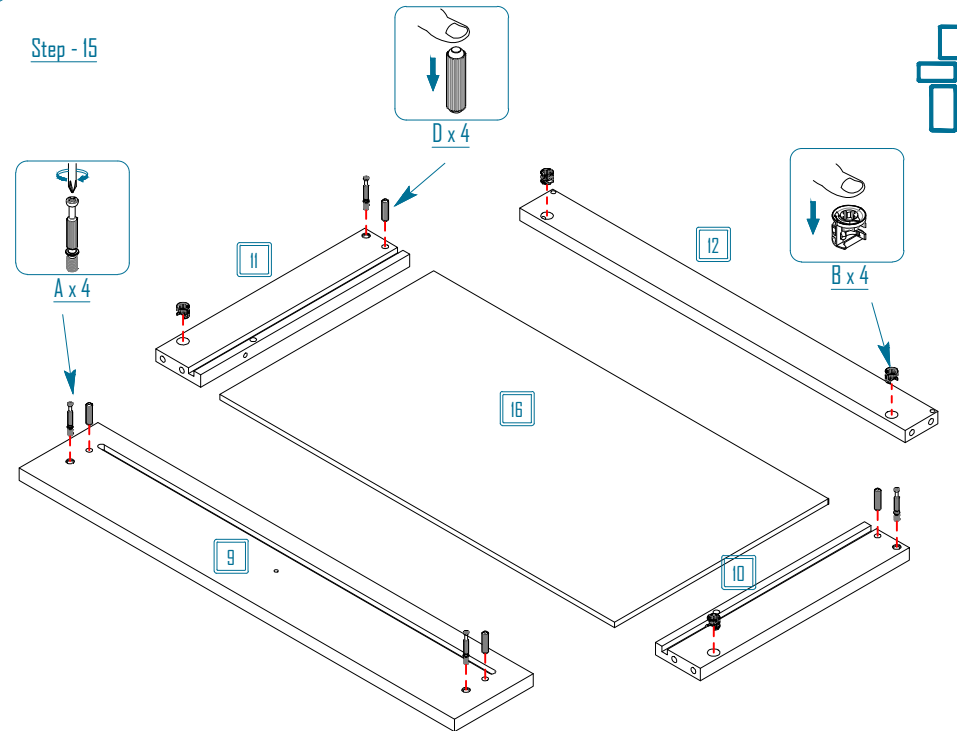
Step - 15



D x 4



A x 4



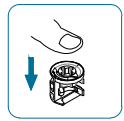
11

12

16

9

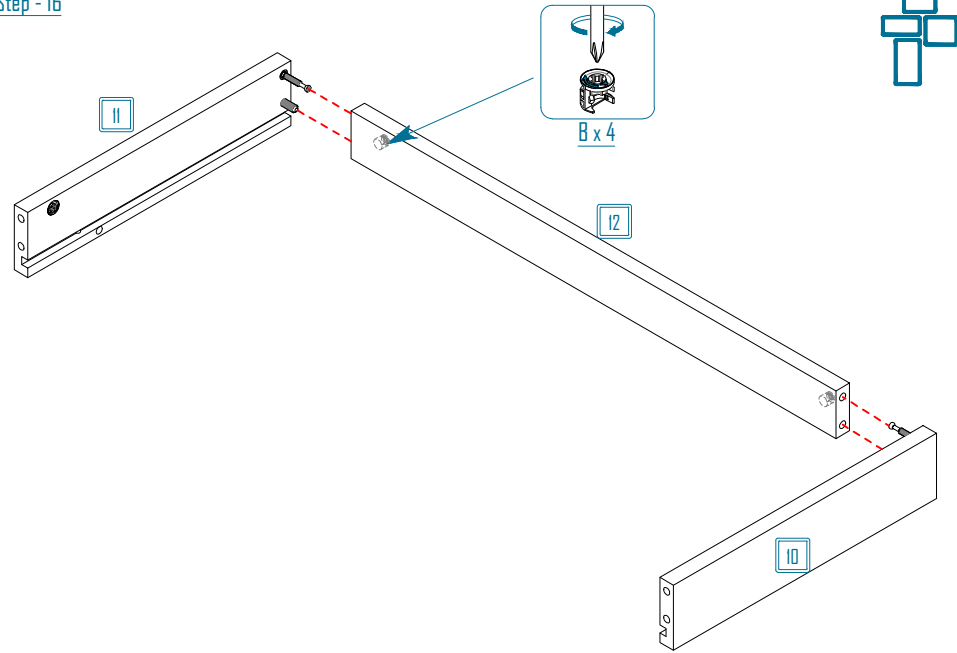
10



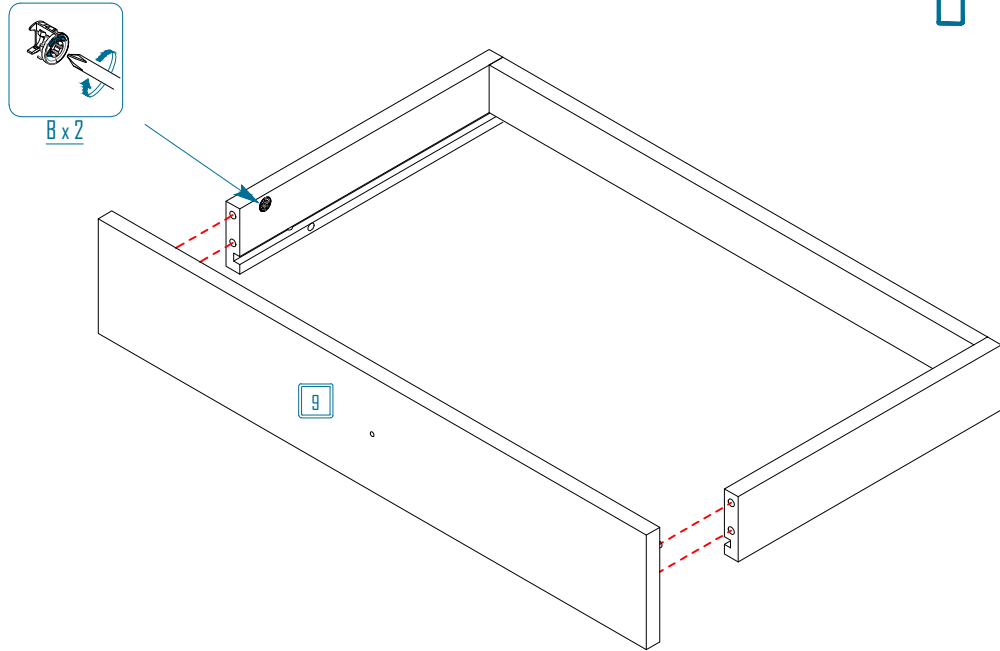
B x 4

12

Step - 16

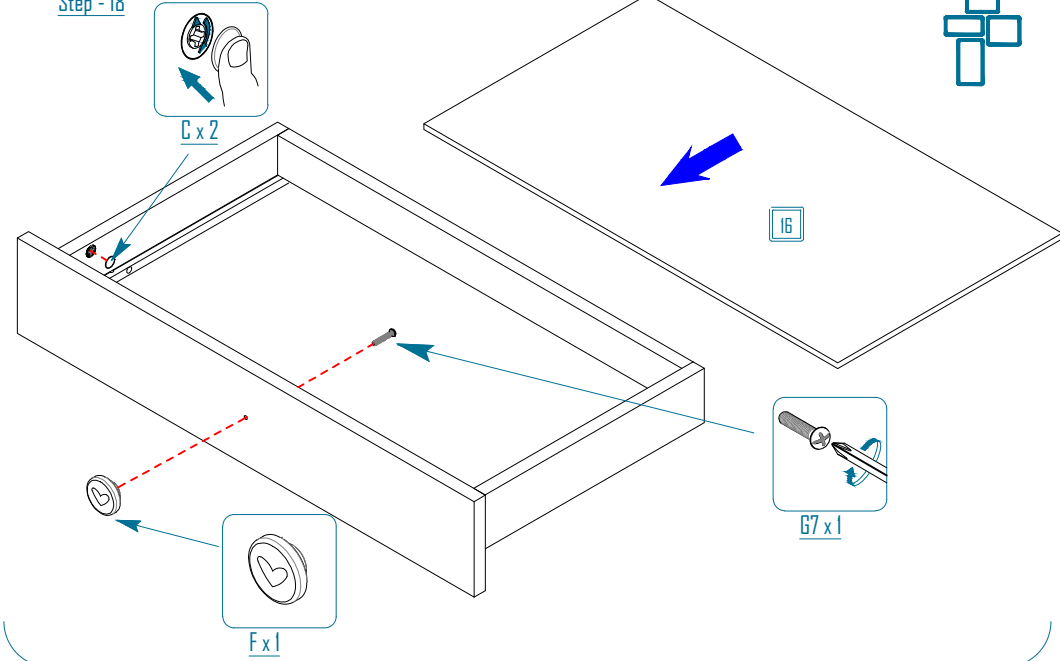


Step - 17

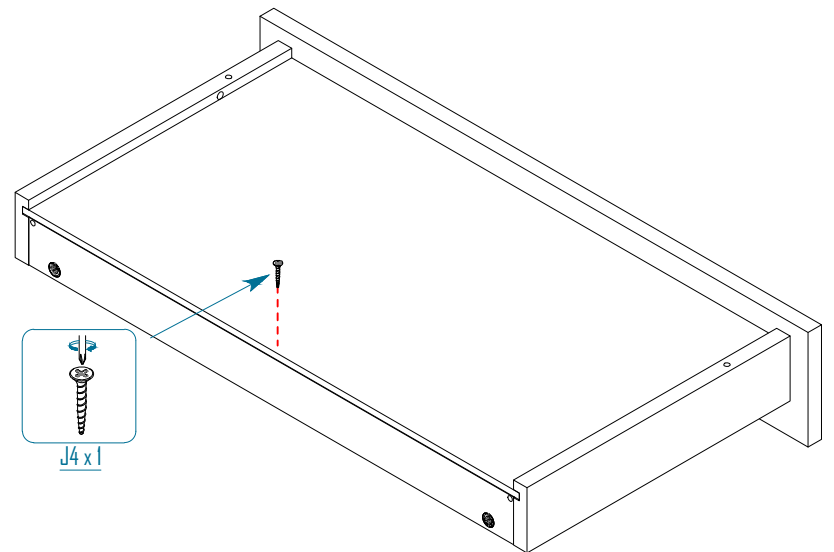


13

Step - 18

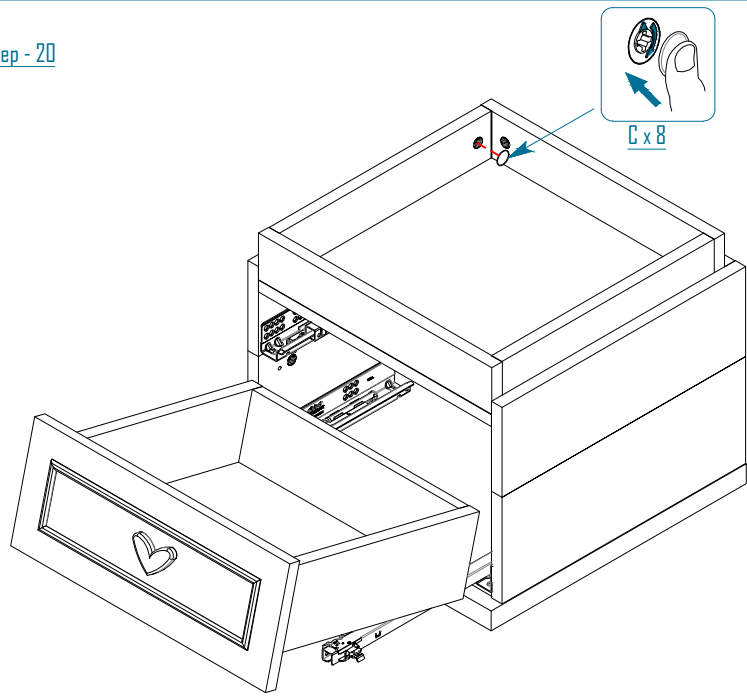


Step - 19



14

Step - 20



Step - 21

