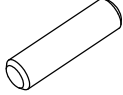
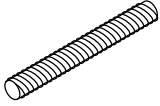
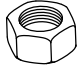
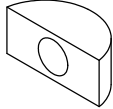

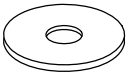
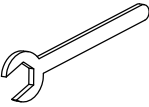
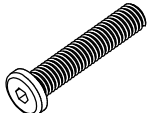

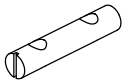

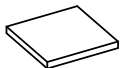
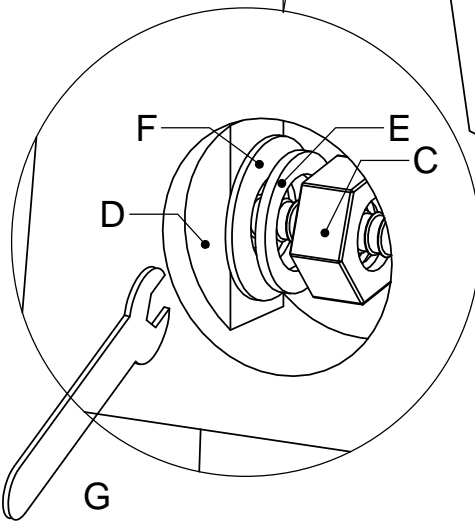
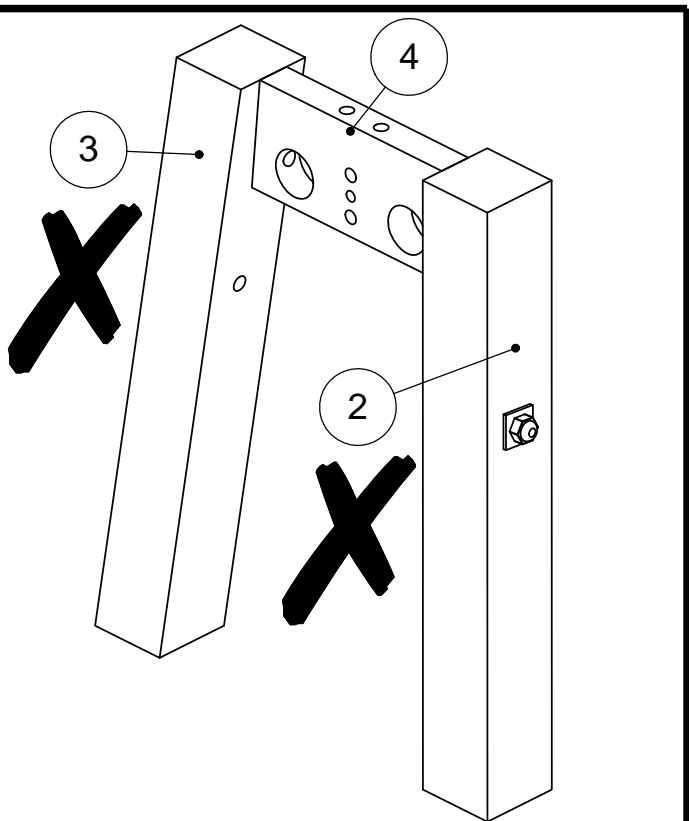
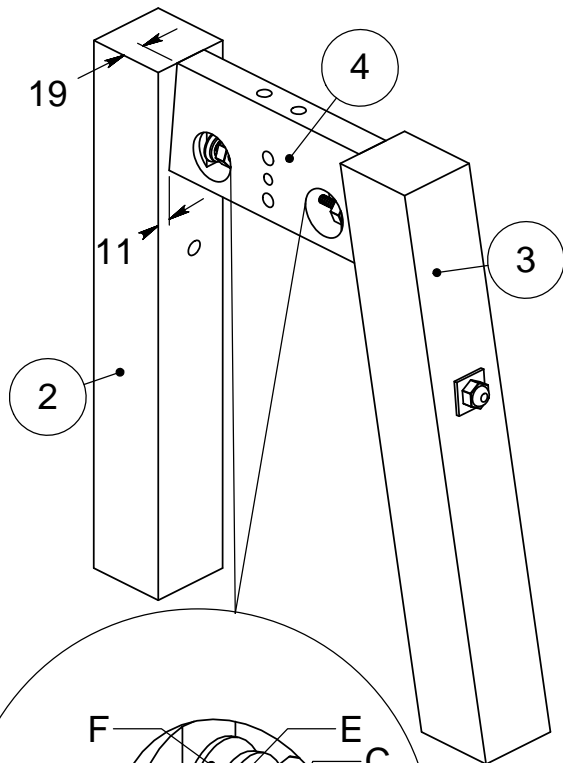
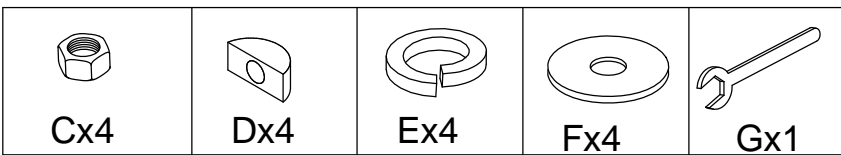
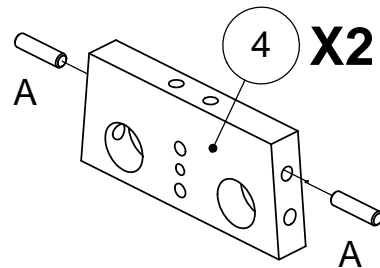
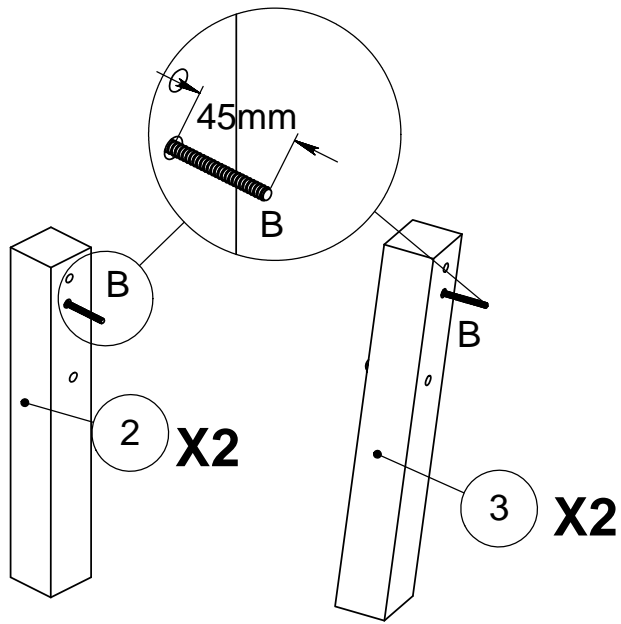
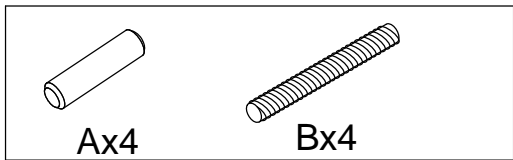


<b>Ax4</b>  $\varnothing 10 \times 40$	<b>Bx4</b>  <b>M8x65</b>	<b>Cx4</b>  <b>M8</b>	<b>Dx4</b>  <b>M8</b>	<b>Ex20</b>  <b>M8</b>	<b>Fx20</b>  <b>M8X15</b>
<b>Gx1</b>  <b>12mm</b>	<b>Hx12</b>  <b>M8x90</b>	<b>Jx1</b>  <b>M5</b>	<b>Kx2</b>  $\varnothing 12 \times 60$	<b>Lx4</b>  <b>M8x25</b>	<b>Mx4</b>  <b>55x55mm</b>



X2

